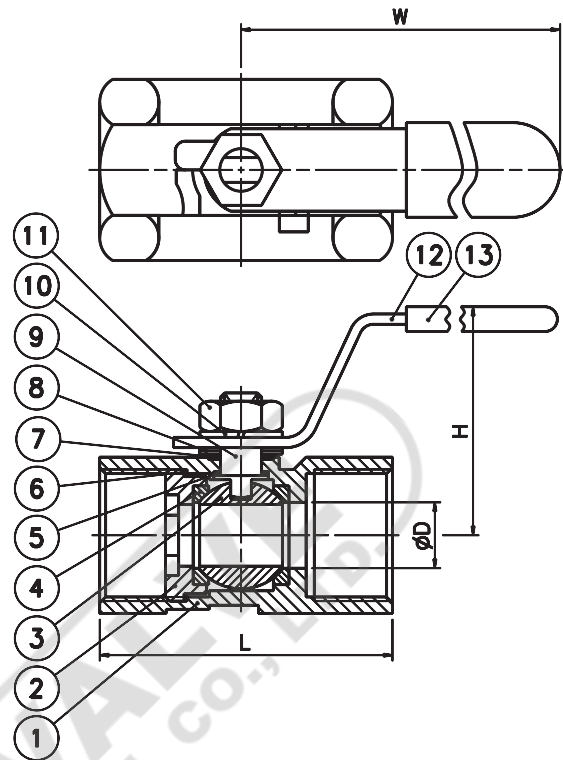


DIN3202 M3 L199 One Piece Reduced Port Ball Valve

- Size Range 1/4" - 2" (DN8 - DN50)
- Pressure Rating DIN PN63
- Materials Stainless Steel, Carbon Steel
- End Connection Threaded
- Service Application Water, Oil, Gas, Thermal Fluid, Chemicals and others
- Certifications ISO 9001-2008, PED 97/23/EC
- Operation Manual

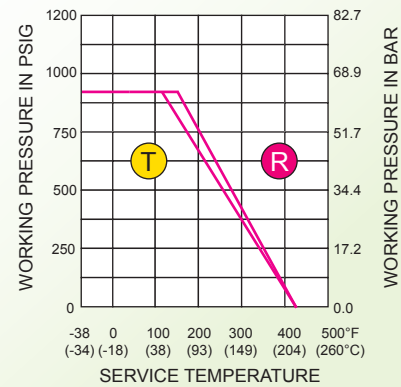


MATERIAL LIST:

ITEM	DESCRIPTION	STAINLESS STEEL	CARBON STEEL	Q'TY
1	BODY	EN10213-4 1.4408/CF8M	EN10213-2 1.0619/WCB	1
2	BODY INSERT	EN10213-4 1.4408/CF8M	EN10213-2 1.0619/WCB	1
3	BALL	EN10213-4 1.4408/CF8M	EN10213-4 1.4308/CF8	1
4	SEAT	PTFE / R-TFE	PTFE / R-TFE	2
5	THRUST WASHER	PTFE	PTFE	1
6	BODY GASKET	PTFE	PTFE	1
7	STEM PACKING	PTFE	PTFE	1
8	BELLEVILLE WASHER	DIN 1.4310	DIN 1.4310	1
9	STEM	EN10213-4 1.4401/316	EN10213-4 1.4301/304	1
10	SPRING WASHER	EN10213-4 1.4301/304	EN10213-4 1.4301/304	1
11	HANDLE NUT	EN10213-4 1.4301/304	EN10213-4 1.4301/304	1
12	HANDLE	EN10213-4 1.4301/304	ZINC PLATED STEEL	1
13	SLEEVE	VINYL PLASTISOL	VINYL PLASTISOL	1

P-T RATINGS

T PTFE **R** R-TFE



DIMENSIONS:

SIZE		ØD		L		H		W		Weights KG
IN	DN	IN	MM	IN	MM	IN	MM	IN	MM	
1/4"	8	0.20	5	2.17	55	1.30	33	2.76	70	0.1
3/8"	10	0.28	7	2.36	60	1.38	35	3.15	80	0.1
1/2"	15	0.35	9	2.95	75	1.65	42	3.54	90	0.2
3/4"	20	0.47	12	3.15	80	1.81	46	3.54	90	0.3
1"	25	0.63	16	3.54	90	1.97	50	4.13	105	0.5
1 1/4"	32	0.79	20	4.33	110	2.20	56	4.13	105	0.8
1 1/2"	40	0.98	25	4.72	120	2.60	66	5.12	130	1.0
2"	50	1.26	32	5.51	140	2.83	72	5.12	130	1.8