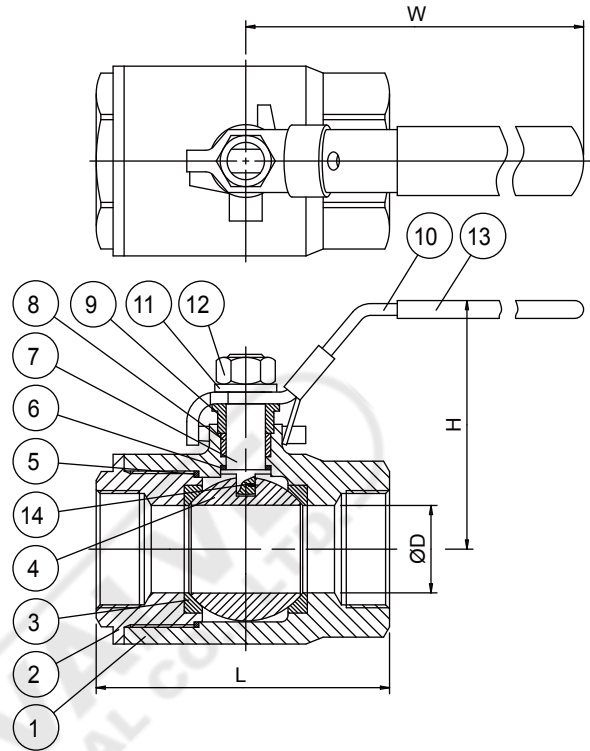


# L290F Fire Safe API607 & ISO10497 Two Piece Full Port Ball Valve

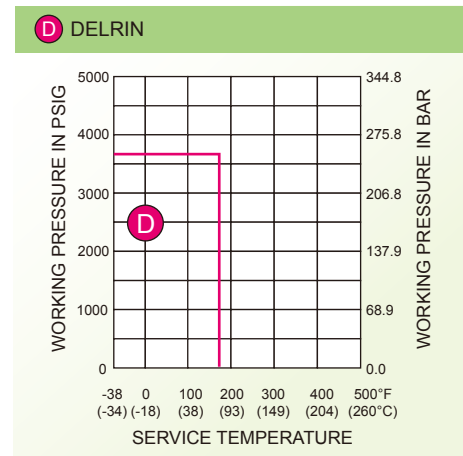
- Size Range 1/4" - 2" ( DN08 - DN50)
- Pressure Rating ANSI Class1500 ( 3000PSI )
- Materials Stainless Steel, Carbon Steel
- End Connection Threaded
- Service Application Water, Oil, Gas, Thermal Fluid, Chemicals and others
- Certifications ISO 9001, PED 97/23/EC, API 607 & ISO 10497
- Operation Manual



## MATERIAL LIST:

ITEM	DESCRIPTION	STAINLESS STEEL	CARBON STEEL	Q'TY
1	BODY	ASTM A351 CF8M	ASTM A216 WCB	1
2	BODY CAP	ASTM A351 CF8M	ASTM A216 WCB	1
3	SEAT	DELRIN	DELRIN	2
4	BALL	ASTM A351 CF8M/316	ASTM A351 CF8/304	1
5	BODY GASKET	GRAPHITE	GRAPHITE	1
6-1	THRUST WASHER	PTFE	PTFE	1
6-2	THRUST WASHER	GRAPHITE	GRAPHITE	1
7	STEM	ASTM A276 316	ASTM A276 304	1
8	STEM PACKING	GRAPHITE	GRAPHITE	1
9	GLAND	AISI 304	AISI 304	2
10	HANDLE	AISI 304	ZINC PLATED STEEL	1
11	SPRING WASHER	AISI 304	AISI 304	1
12	HANDLE NUT	AISI 304	AISI 304	1
13	SLEEVE	VINYL PLASTISOL	VINYL PLASTISOL	1
14	ANTI-STATIC DEVICE	AISI 304	AISI 304	1

## P-T RATINGS



## DIMENSIONS:

SIZE		ØD		L		H		W		Weights KG
IN	DN	IN	MM	IN	MM	IN	MM	IN	MM	
1/4"	8	0.50	12.7	2.72	69.0	2.64	67	4.80	122	0.7
3/8"	10	0.50	12.7	2.72	69.0	2.64	67	4.80	122	0.7
1/2"	15	0.50	12.7	2.72	69.0	2.64	67	4.80	122	0.7
3/4"	20	0.75	19.0	3.48	88.5	2.91	74	5.83	148	1.1
1"	25	1.00	25.4	4.02	102.0	3.15	80	6.61	168	1.7
1 1/4"	32	1.26	32.0	4.55	115.5	3.39	86	6.61	168	2.4
1 1/2"	40	1.50	38.0	4.88	124.0	4.76	121	10.23	260	3.8
2"	50	1.75	44.5	5.87	149.0	4.96	125	10.23	260	5.9