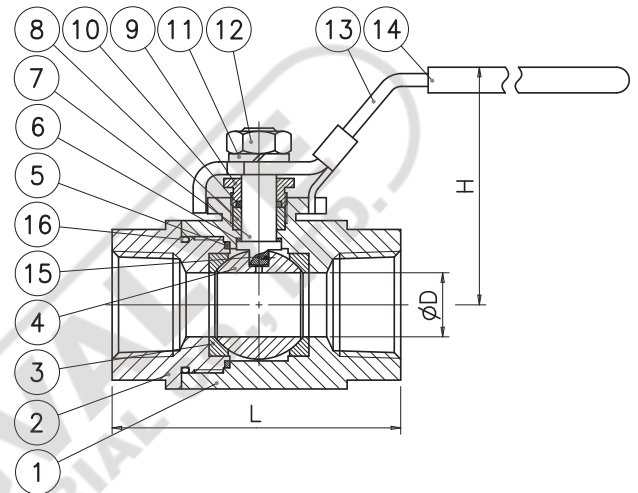
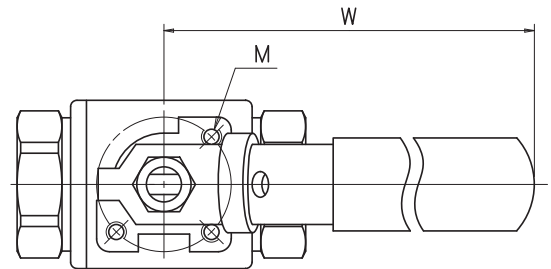


# Fire Safe API607 & ISO10497 L291F Two Piece Full Port Ball Valve

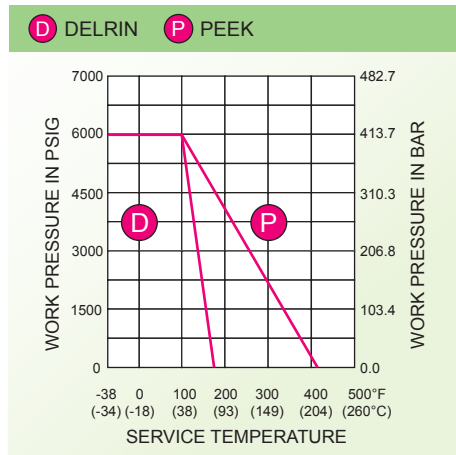
- Size Range 1/4"FP - 2"FP / 2"RP ( DN8 - DN50 )
- Pressure Rating 6000 PSI
- Materials Stainless Steel, Carbon Steel
- End Connection Threaded
- Service Application Water, Oil, Gas, Thermal Fluid, Chemicals and others
- Certifications ISO 9001-2008, PED 97/23/EC, ATEX 94/9/EC, API 607 5th & ISO 10497
- Operation Manual or Actuated



### MATERIAL LIST:

ITEM	DESCRIPTION	STAINLESS STEEL	CARBON STEEL	Q'TY
1	BODY	ASTM A351 CF8M	ASTM A216 WCB	1
2	BODY CAP	ASTM A351 CF8M	ASTM A216 WCB	1
3	SEAT	DELRIN / PEEK	DELRIN / PEEK	2
4	BALL	ASTM A351 CF8M/316	ASTM A351 CF8/304	1
5	BODY GASKET	GRAPHITE	GRAPHITE	1
6-1	THRUST WASHER	GRAPHITE	GRAPHITE	1
6-2		PTFE	PTFE	1
7	STEM	ASTM A276 316	ASTM A276 304	1
8	STEM PACKING	GRAPHITE	GRAPHITE	1
9	GLAND	AISI 304	AISI 304	1
10	GLAND PACKING	PTFE	PTFE	1
11	SPRING WASHER	AISI 304	AISI 304	1
12	HANDLE NUT	AISI 304	AISI 304	1
13	HANDLE	AISI 304	ZINC PLATED STEEL	1
14	SLEEVE	VINYL PLASTISOL	VINYL PLASTISOL	1
15	ANTI-STATIC DEVICE	AISI 316	AISI 316	1
16	BODY CAP O-RING	VITON	VITON	1

### P-T RATINGS



### DIMENSIONS:

SIZE		ØD		L		H		W		M	ISO 5211	Weights KG
IN	DN	IN	MM	IN	MM	IN	MM	IN	MM			
1/4"	8	0.45	11.4	2.99	76	2.36	60	5.04	128	3XM5	F03	0.6
3/8"	10	0.50	12.7	2.99	76	2.36	60	5.04	128	3XM5	F03	0.9
1/2"	15	0.50	12.7	4.02	102	2.36	60	5.04	128	3XM5	F03	0.9
3/4"	20	0.75	19.1	4.25	108	2.68	68	5.91	150	3XM5	F04	1.5
1"	25	1.00	25.4	4.49	114	3.15	80	7.09	180	3XM6	F05	2.5
1 1/4"	32	1.26	32.0	4.88	124	4.49	114	10.04	255	3XM8	F07	6.1
1 1/2"	40	1.50	38.1	5.24	133	4.88	124	10.04	255	3XM8	F07	6.0
		1.50	38.1	6.26	159	4.88	124	10.04	255	3XM8	F07	7.5
		1.97	50.0	6.26	159	5.24	133	10.04	255	3XM8	F07	9.1