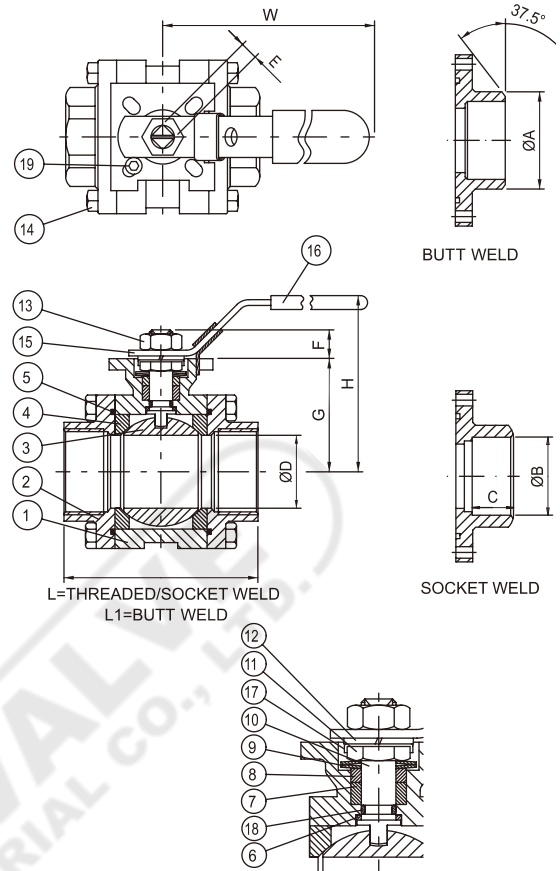


# L350 Three Piece Full Port Ball Valve

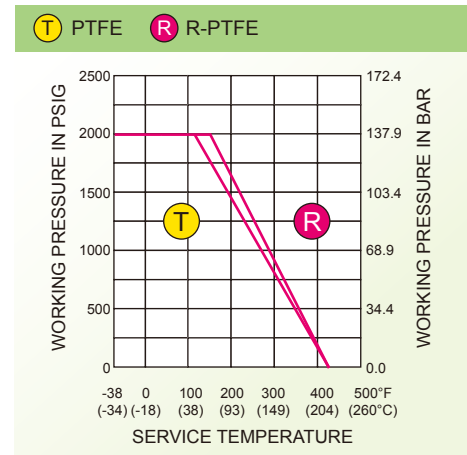
- Size Range 1/4" - 2" ( DN08 - DN50 )
- Pressure Rating 2000 PSI
- Materials Stainless Steel, Carbon Steel
- End Connection Threaded, Butt weld, Socket weld and others
- Service Application Water, Oil, Gas, Thermal Fluid, Chemicals and others
- Certifications ISO 9001, PED 97/23/EC
- Operation Manual or Actuated



## MATERIAL LIST:

ITEM	DESCRIPTION	STAINLESS STEEL	CARBON STEEL	Q'TY
1	BODY	ASTM A351 CF8M	ASTM A216 WCB	1
2	BODY CAP	ASTM A351 CF8M	ASTM A216 WCB	2
3	BALL	ASTM A351 CF8M/316	ASTM A351 CF8/304	1
4	SEAT	PTFE	PTFE	2
5	BODY GASKET	PTFE	PTFE	2
6	THRUST WASHER	PTFE	PTFE	1
7	STEM PACKING	PTFE	PTFE	1-2
8	GLAND	AISI 304	AISI 304	1
9	BELLEVILLE WASHER	AISI 301	AISI 301	2
10	STEM	ASTM A276 316	ASTM A276 304	1
11	GLAND NUT	AISI 304	AISI 304	1
12	SPRING WASHER	AISI 304	AISI 304	1
13	HANDLE NUT	AISI 304	AISI 304	1
14	BODY BOLT	AISI 304	CARBON STEEL	8
15	HANDLE	AISI 304	ZINC PLATED STEEL	1
16	SLEEVE	VINYL PLASTISOL	VINYL PLASTISOL	1
17	LOCK CLIP	AISI 304	AISI 304	1
18	STEM O-Ring	VITON	VITON	1
19	STOP PIN	AISI 304	CARBON STEEL	1

## P-T RATINGS



## DIMENSIONS:

SIZE		ØD		L		L1		E		F		G		H		W		ØA		ØB		C		ISO 5211	Weights KG
IN	DN	IN	MM	IN	MM	IN	MM	IN	MM	IN	MM	IN	MM	IN	MM	IN	MM	IN	MM	IN	MM	IN	MM		
1/4"	8	0.43	11.0	2.91	74	2.91	74	0.35	9	0.31	8	1.61	41	3.15	80	5.31	135	0.73	18.5	0.56	14.2	0.39	10	F03-F04	0.7
3/8"	10	0.49	12.5	2.91	74	2.91	74	0.35	9	0.31	8	1.61	41	3.15	80	5.31	135	0.73	18.5	0.69	17.6	0.39	10	F03-F04	0.7
1/2"	15	0.59	15.0	2.91	74	2.91	74	0.35	9	0.31	8	1.61	41	3.15	80	5.31	135	0.89	22.5	0.86	21.8	0.51	13	F03-F04	0.6
3/4"	20	0.79	20.0	3.27	83	3.27	83	0.35	9	0.31	8	1.77	45	3.31	84	5.31	135	1.12	28.5	1.07	27.2	0.59	15	F03-F04	0.8
1"	25	1.00	25.4	3.70	94	3.70	94	0.43	11	0.51	13	2.01	51	3.54	90	6.50	165	1.36	34.5	1.33	33.9	0.59	15	F04-F05	1.2
1 1/4"	32	1.26	32.0	4.13	105	4.13	105	0.43	11	0.51	13	2.20	56	3.66	93	6.50	165	1.71	43.5	1.68	42.7	0.59	15	F04-F05	2.1
1 1/2"	40	1.50	38.0	4.72	120	4.72	120	0.55	14	0.75	19	2.64	67	4.21	107	7.68	195	1.97	50.0	1.92	48.8	0.63	16	F05-F07	3.2
2"	50	1.97	50.0	5.35	136	5.98	152	0.55	14	0.75	19	2.99	76	4.57	116	7.68	195	2.48	63.0	2.41	61.2	0.67	17	F05-F07	5.5