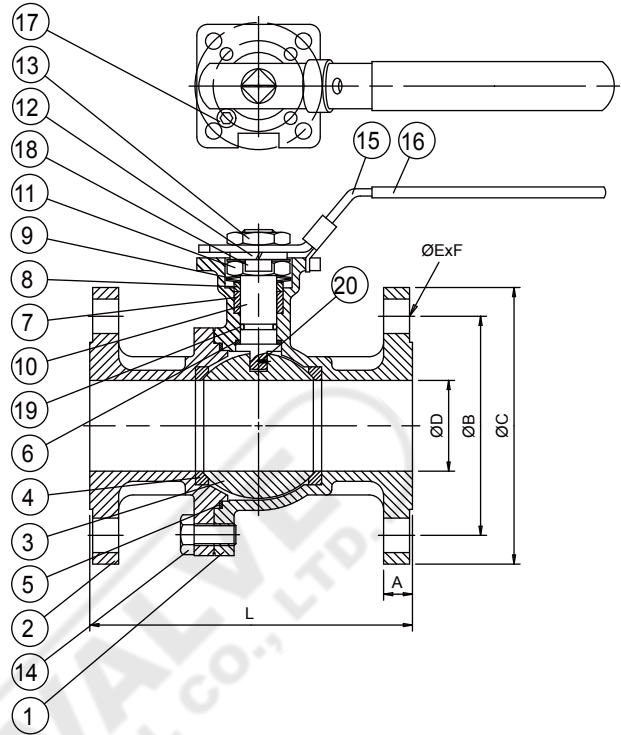


# L610F Fire Safe API607 & ISO10497 Flanged Full Port Ball Valve

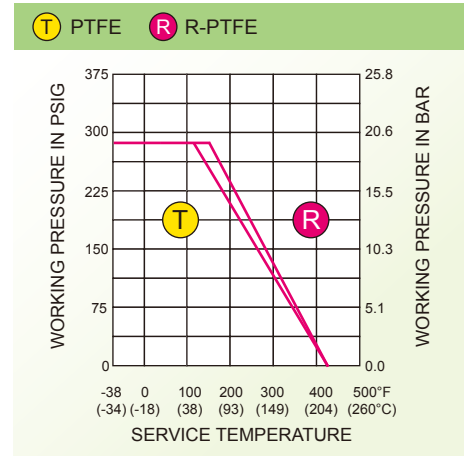
Size Range 1/2" - 4" ( DN15 - DN100 )  
 Pressure Rating ANSI Class150  
 Materials Stainless Steel, Carbon Steel  
 Service Application Water, Oil, Gas, Thermal Fluid,  
 Chemicals and others  
 Certifications ISO 9001, PED 97/23/EC,  
 API 607 & ISO 10497  
 Operation Manual or Actuated



## MATERIAL LIST:

ITEM	DESCRIPTION	STAINLESS STEEL	CARBON STEEL	Q'TY
1	BODY	ASTM A351 CF8M	ASTM A216 WCB	1
2	BODY CAP	ASTM A351 CF8M	ASTM A216 WCB	1
3	BALL	ASTM A351 CF8M/316	ASTM A351 CF8/316	1
4	SEAT	PTFE	PTFE	2
5-1	BODY GASKET	PTFE	PTFE	1
5-2	BODY GASKET	GHAPHITE	GHAPHITE	1
6-1	THRUST WASHER	PTFE	PTFE	1
6-2	THRUST WASHER	GHAPHITE	GHAPHITE	1
7	STEM PACKING	GHAPHITE	GHAPHITE	1
8	GLAND	AISI 304	AISI 304	1
9	BELLEVILLE WASHER	AISI 301	AISI 301	2
10	STEM	ASTM A276 316	ASTM A276 316	1
11	GLAND NUT	AISI 304	AISI 304	1
12	SPRING WASHER	AISI 304	AISI 304	1
13	HANDLE NUT	AISI 304	AISI 304	1
14	BODY BOLT	ASTM A276 B8	ASTM A276 B7	4-8
15	HANDLE	AISI 304	ZINC PLATED STEEL	1
16	SLEEVE	VINYL PLASTISOL	VINYL PLASTISOL	1
17	STOP PIN	AISI 304	CARBON STEEL	1
18	LOCK CLIP	AISI 304	AISI 304	1
19	STEM O-RING	VITON	VITON	1
20	ANTI-STATIC DEVICE	AISI 304	AISI 304	1

## P-T RATINGS



## DIMENSIONS:

SIZE		ØD		L		A		ØB		ØC		E		F	ISO 5211	Weights KG
IN	DN	IN	MM	IN	MM	IN	MM	IN	MM	IN	MM	IN	MM			
1/2"	15	0.50	12.7	4.25	108	0.44	11.2	2.38	60.5	3.50	88.9	0.62	15.8	4	F03-F04	1.6
3/4"	20	0.75	19.1	4.62	117	0.44	11.2	2.75	69.9	3.88	98.6	0.62	15.8	4	F03-F04	2.0
1"	25	1.00	25.4	5.00	127	0.44	11.2	3.12	79.2	4.25	108.0	0.62	15.8	4	F04-F05	3.1
1 1/2"	40	1.50	38.1	6.50	165	0.56	14.2	3.88	98.6	5.00	127.0	0.62	15.8	4	F05-F07	5.8
2"	50	2.00	50.8	7.00	178	0.62	15.8	4.75	120.7	6.00	152.4	0.75	19.1	4	F05-F07	8.3
2 1/2"	65	2.50	63.5	7.50	191	0.69	17.5	5.50	139.7	7.00	177.8	0.75	19.1	4	F07-F10	14.0
3"	80	3.00	76.2	8.00	203	0.75	19.1	6.00	152.4	7.50	190.5	0.75	19.1	4	F07-F10	18.2
4"	100	4.00	101.6	9.00	229	0.94	23.9	7.50	190.5	9.00	228.6	0.75	19.1	8	F10-F12	29.7