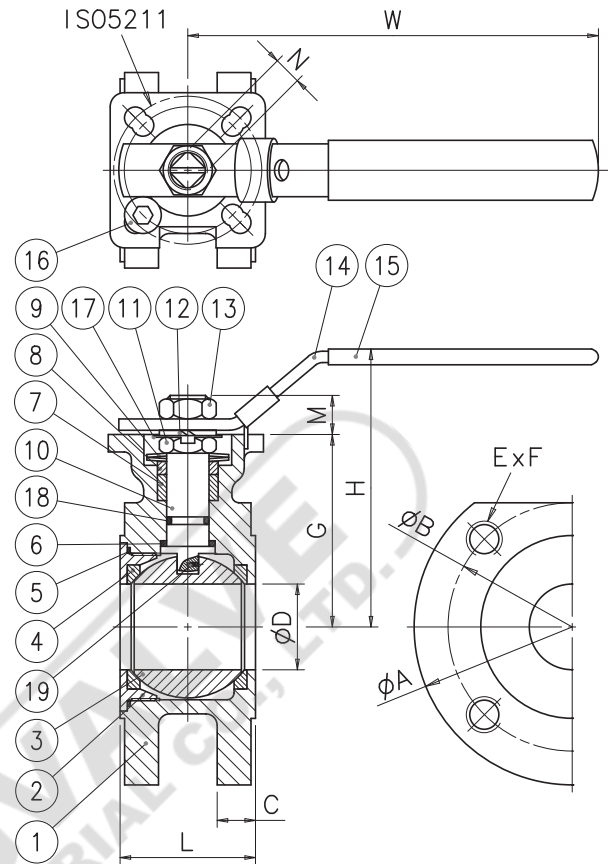
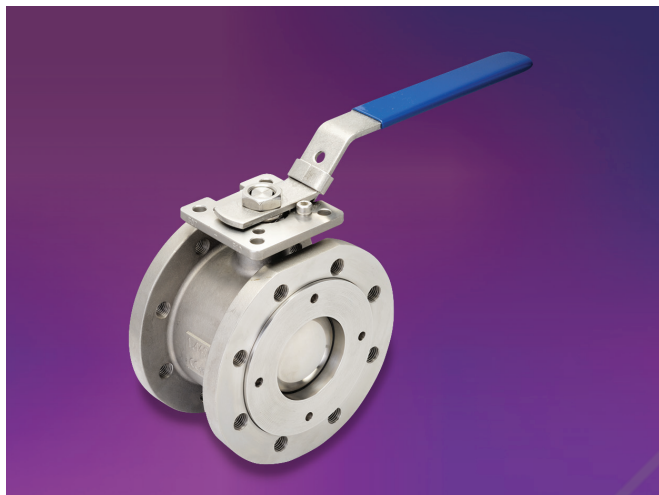


Fire Safe API607 & ISO10497 L650F Wafer Type Full Port Ball Valve

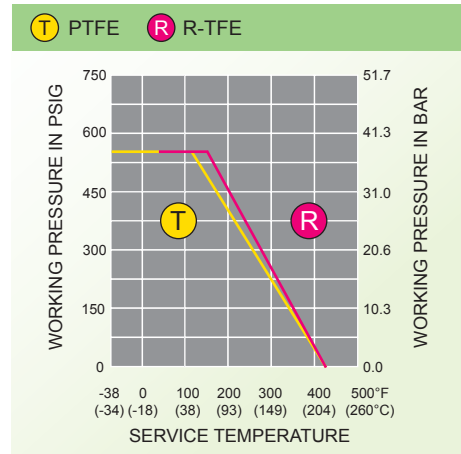
- Size Range 1/2" - 4" (DN15 - DN100)
- Pressure Rating DIN PN40
- Materials Stainless Steel, Carbon Steel
- Service Application Water, Oil, Gas, Thermal Fluid, Chemicals and others
- Certifications ISO 9001-2008, PED 97/23/EC, ATEX 94/9/EC, TA - Luft 2002, API 607 5th & ISO 10497
- Operation Manual or Actuated



MATERIAL LIST:

ITEM	DESCRIPTION	STAINLESS STEEL	CARBON STEEL	Q'TY
1	BODY	EN10213-4 1.4408	EN10213-2 1.0619	1
2	BODY CAP	EN10213-4 1.4408	EN10213-2 1.0619	1
3	BALL	EN10213-4 1.4408	EN10213-4 1.4308	1
4	SEAT	PTFE / R-TFE	PTFE / R-TFE	2
5-1	BODY GASKET	PTFE	PTFE	1
5-2		GRAPHITE	GRAPHITE	1
6-1	THRUST WASHER	PTFE	PTFE	1
6-2		GRAPHITE	GRAPHITE	1
7	STEM PACKING	GRAPHITE	GRAPHITE	1-2
8	GLAND	AISI 304	AISI 304	1
9	BELLEVILLE WASHER	AISI 301	AISI 301	2
10	STEM	EN10213-4 1.4401	EN10213-4 1.4301	1
11	GLAND NUT	AISI 304	AISI 304	1
12	SPRING WASHER	AISI 304	AISI 304	1
13	HANDLE NUT	AISI 304	AISI 304	1
14	HANDLE	AISI 304	ZINC PLATED STEEL	1
15	SLEEVE	VINYL PLASTISOL	VINYL PLASTISOL	1
16	STOP PIN	AISI 304	CARBON STEEL	1
17	LOCK CLIP	AISI 304	AISI 304	1
18	STEM O-RING	VITON	VITON	1
19	ANTI-STATIC DEVICE	AISI 316	AISI 316	1

P-T RATINGS



DIMENSIONS:

SIZE		ØD		L		ØA		ØB		C		E	F	G		M		N		H		W		ISO5211	Weight
IN	DN	IN	MM	IN	MM	IN	MM	IN	MM	IN	MM			IN	MM	IN	MM	IN	MM	IN	MM	IN	MM		KG
1/2"	15	0.59	15	2.05	52	3.74	95	2.56	65	0.55	14	4	M12	1.93	49	0.35	9	0.35	9	3.46	88	5.31	135	F03-F04	1.6
3/4"	20	0.79	20	2.05	52	4.13	105	2.95	75	0.63	16	4	M12	2.13	54	0.35	9	0.35	9	3.66	93	5.31	135	F03-F04	2.1
1"	25	1.00	25	2.36	60	4.53	115	3.35	85	0.63	16	4	M12	2.32	59	0.47	12	0.43	11	3.86	98	6.50	165	F04-F05	2.8
1 1/4"	32	1.26	32	2.28	58	5.51	140	3.94	100	0.71	18	4	M16	2.48	63	0.47	12	0.43	11	3.98	101	6.50	165	F04-F05	3.0
1 1/2"	40	1.50	38	3.07	78	5.91	150	4.33	110	0.71	18	4	M16	3.03	77	0.63	16	0.55	14	4.57	116	7.68	195	F05-F07	5.3
2"	50	1.97	50	3.15	80	6.50	165	4.92	125	0.79	20	4	M16	3.35	85	0.63	16	0.55	14	4.88	124	7.68	195	F05-F07	6.9